

Polar – Spacetec – Multitec

Roof systems

POLAR roof system

The Polar roof is a complete roof system based on sandwich panels. It includes all necessary framed openings, fasteners and finishing flashings.

Polar panels consist of two profiled ribbed coated steel panels, produced by cold roll forming, between which a CFC-free polyurethane foam is factory injected.



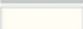
Different insulation thicknesses and panel profiles are available within the Polar roof system. The U-values of the different products are those published by the panel manufacturers.

TECHNICAL SPECIFICATIONS:

Standard thicknesses: 30, 40, 60 and 80mm

COLOURS AND COATINGS:

Exterior finishes:

| | |
|----------|---|
| coating: | Superpolyester 25 micron |
| colours: | RAL1015  |
| | RAL7035  |
| | RAL9010  |

ACCESSORIES:

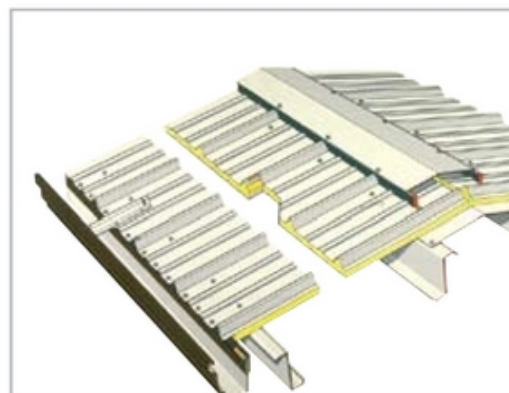
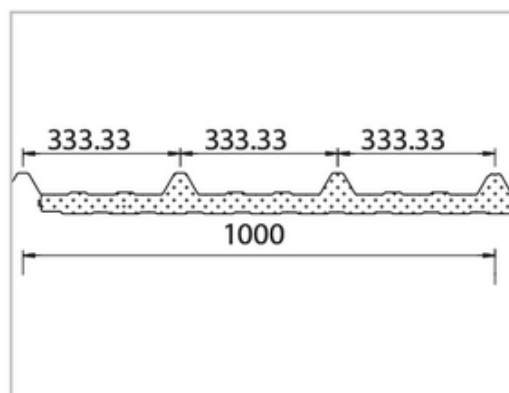
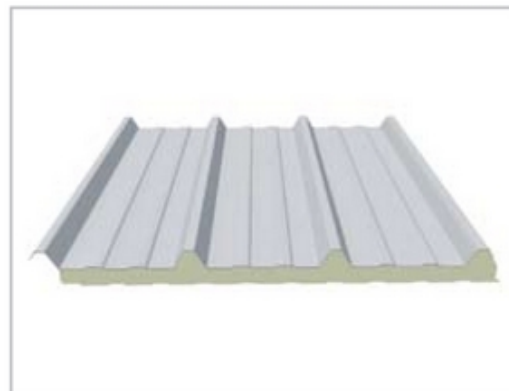
A full range of accessories adapted to Polar, Spacetec and Multitec roof systems have been developed to ensure an optimum watertightness and pleasing aesthetics:

- Skylights
- Translucent panels
- Smoke vents
- Polycarbonate vaults
- Roof curbs

N.B.: For the exact colour, please refer to the official Astron colour fan.

ADVANTAGES:

- High degree of thermal insulation
- Aesthetical interior finish
- Quick erection
- Easy maintenance
- Large range of integrated accessories
- Fixed with stainless steel screws



Spacetec/Multitec built-up roof systems

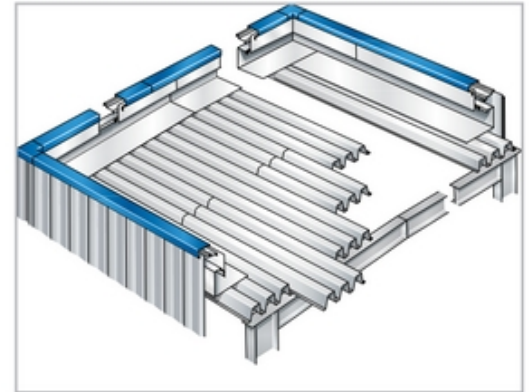
Both low pitch roof systems consist of ribbed steel panels and allow the application of a built-up roof system. The Spacetec roof system is purlin-free, the panels are directly fixed to the upper flange of the primary framing. The Multitec roof system is fixed onto purlins.

SPACETEC

Spacetec does not require secondary framing. Slim, discrete compression tubes are installed on the lower flanges of the rafters to transmit the forces from the wind bracing tie rods. Framed openings are concealed within the depth of the roof panel. The thermal insulation depends on the type of the built-up roof.

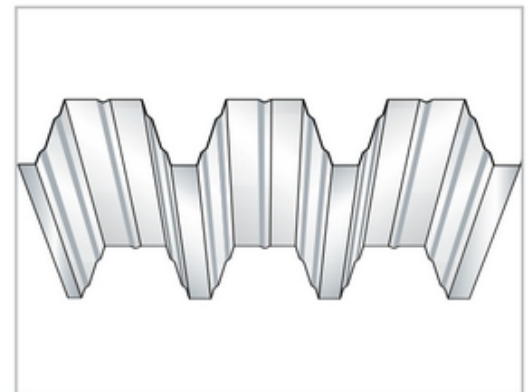
COLOURS AND COATINGS:

Interior finishes: superpolyester in grey white



ADVANTAGES:

- Aesthetically pleasing interior aspect of the building roof: ideal for sports halls, airport buildings, supermarkets, showrooms, etc.
- Low pitch roof creates simple and economical parapets
- Reduced peak height
- Quick and easy erection
- Fully integrated accessories: skylights, smoke vents, polycarbonate vaults, roof curbs

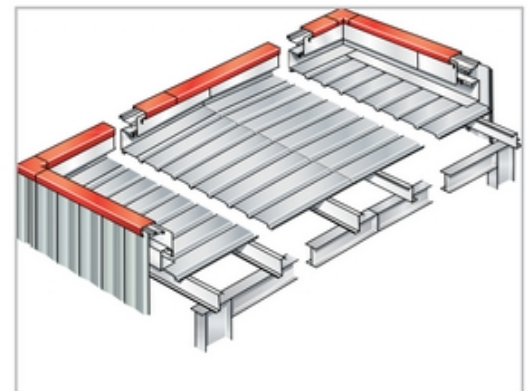


MULTITEC

Multitec panel is fixed to the secondary framing by self-drilling screws. The panel overlaps are fastened with stitching screws. The secondary framing is normally Z purlins fixed with a 1.5m purlin spacing to the primary framing. The thermal insulation varies depending on the type of the built-up roof adopted.

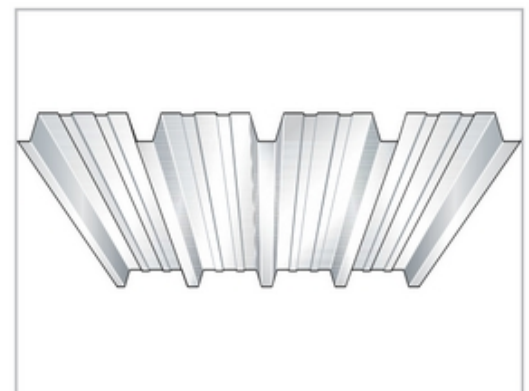
COLOURS AND COATINGS:

Interior finishes: superpolyester in grey white



ADVANTAGES:

- Simple and economical parapets
- Can be used for complex roof shapes
- Economical rain water drainage
- High degree of thermal insulation (depending on the specification of the built-up roof system)
- Reduced peak height
- Fully integrated accessories: skylights, smoke vents, polycarbonate vaults, roof curbs



www.astron.biz



Astron is the brand name of the products sold by the Building Systems Business area of the Lindab group, Europe's largest manufacturer of steel building systems for industrial, office and commercial use.

Lindab-Astron produce up to 1,000 buildings a year, distributed either through a network of 400 certified independent Builders, spanning nearly 40 countries or through our Key Accounts Unit. Our headquarters is located in Diekirch (Luxembourg). Lindab's concept is clear and simple:

We simplify construction

Lindab-Astron:

<http://www.astron.biz/contact/Astron.html>

Luxembourg:

Route d'Ettelbruck
L-9230 Diekirch
Tel.: +352 80291-1
Fax: +352 803466

Czech Republic:

Kojetinská 71
CZ-75053 Píerov
Tel.: +420 581 250 222
Fax: +420 581 250 205

Hungary:

Derkovits u. 119.
H-4400 Nyíregyháza
Tel.: +36 42 501 310
Fax: +36 42 312 029

Russia:

ul. Sovetskaya 69
RUS-15003 Yaroslavl
Tel.: +7 4852 42 70 43
Fax: +7 4852 42 70 43-115

Germany:

Wilh.-Theodor-Römheld-Str. 32
D-55130 Mainz
Tel.: +49 (0)6131 8309-00
Fax: +49 (0)6131 8309-20

Poland:

ul. Kolejowa 311
Sadowa
PL-05-092 Łomianki
Tel.: +48 (0)22 489 88 91
Fax: +48 (0)22 489 88 98

France:

20, r. Pierre Mendès-France
Torcy, CEDEX 01
F-77202 Marne-la-Vallée
Tel.: +33 (0)1 6462-1616
Fax: +33 (0)1 6462-1092

United Kingdom:

Evans Business Centre
Mitchelston Ind. Estate
GB-Kirkcaldy, Fife
Scotland KY13 UF
Tel.: +44 1592 65 23 00
Fax: +44 1592 65 31 35

Russia:

14G, Magistralnaya str.
Building 1
RUS-123290 Moscow
Tel.: +7 495 981 3960
Fax: +7 495 981 3961

Ukraine:

Saksaganskogo Str. 123
office 3
UA-01032 Kiev
Tel.: +380 44 490 6164
Fax: +380 44 490 6759

Romania:

Soseaua de Centura nr. 8
Stefanestii de Jos
RO-077175 Ilfov
Tel.: +40 21209 4100
Fax: +40 21209 4124

Italy:

Via S. Martino Solferino 40
I-35122 Padova
Tel.: +39 333 3286388
Fax: +39 049 658367

Bulgaria:

Str. Captain D. Spisarevski N°38
BG-1592 Sofia, Drujba 1
Tel.: +359 2 979 97 00
Fax: +359 2 979 97 01

Belarus:

pr-t gazety "Prawda", 11
BY-220116 Minsk
Tel.: +375 29 311 44 59
Fax: +375 17 270 38 95

Lithuania:

Mokslininkų g. 20
LT-08412 Vilnius
Tel.: +370 5 272 97 29
Fax: +370 5 272 97 30